



MARINE

Convection Oven



76 D

3 kW | Diesel Oven

Power:	1000 – 3000 W (3,400 – 10,200 BTU)
Fuel:	Diesel, HVO
Operating Voltage:	12 V
Fuel Consumption:	0,1-0,3 l/t (3,4-10,14 oz/h)
Electricity Consumption:	0,8-1,9 A
Weight:	24,5 kg (54 lbs)



New Wallas convection oven cooks faster with an enhanced air circulation. The highly precise thermostat maintains the cooking temperature accurately and enables you to prepare the meals you've always wanted. Wallas 76 D boasts new modern design and comes with a gimbal option as a standard. The new 3009 Advanced Control panel makes it easy to operate with all relevant information visible on the digital panel. Diesel convection oven is for boaters who want to have the same quality of life off-shore as at home.



3009 ADVANCED

THERMO | Intelligent Control Panel

- Simple start with a press of a button
- Six power settings for temperature (1-6)
- High Altitude Mode adjusts the combustion if unit is used 1300 m (4,200 ft) above sea level
- Easy-to-read digital display provides all the pertinent information at one glance

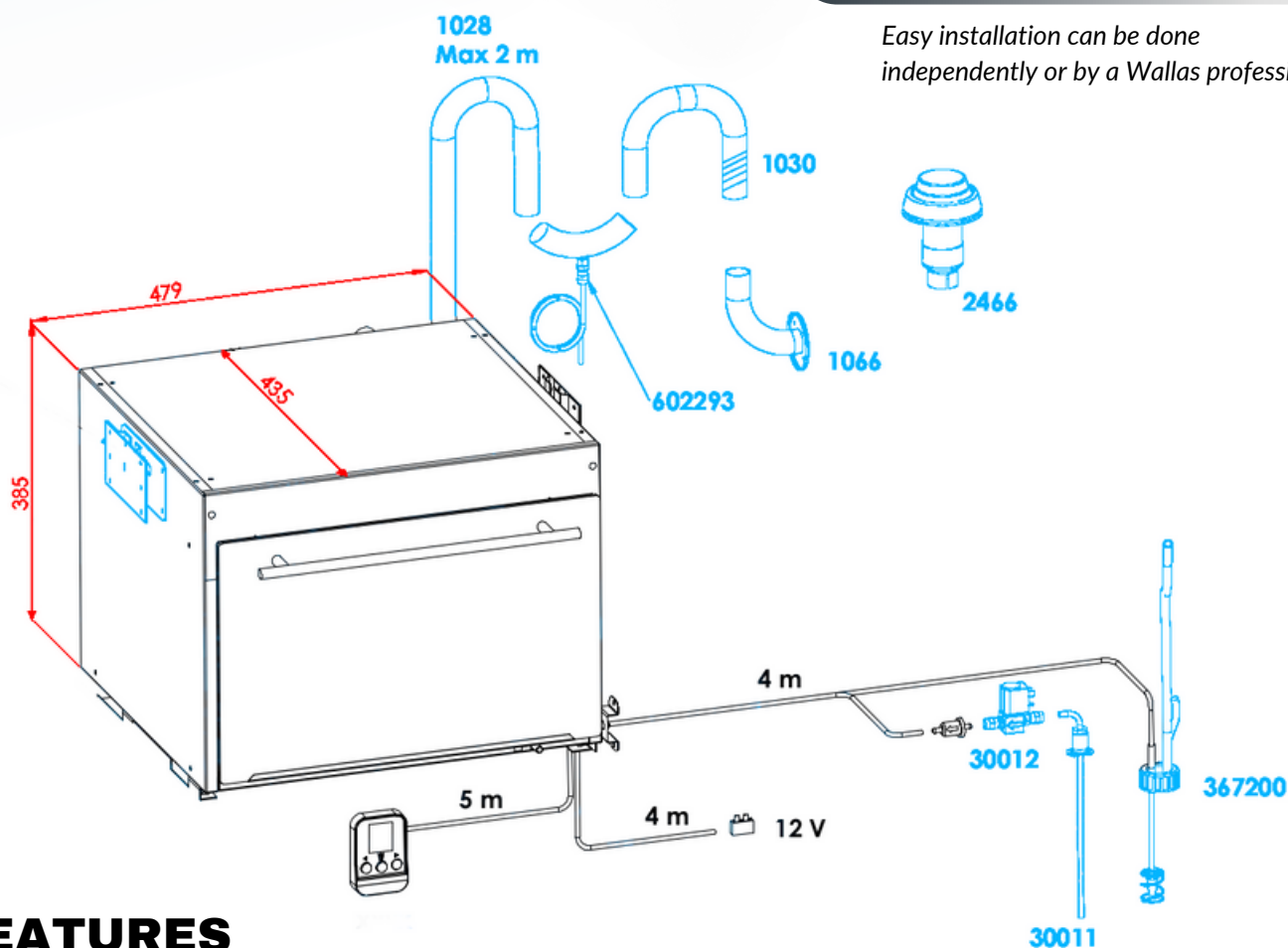


More efficient air circulation than in previous models.

A wider maximum and minimum temperature range offers versatility and precision for cooking.

INSTALLATION

Easy installation can be done independently or by a Wallas professional.



FEATURES

- In addition to traditional diesel, the Greenboost burner burns renewable diesel cleaner and energy-efficiently.
- When using the oven, the air circulates in the boat and remains ventilated and dry. The water vapor from the flue gas also does not remain in the boat which would increase humidity.
- Warranty 2+1 years
- The new air-cooled design does not heat up the interior too hot even on warm summer days.
- The oven's stability, even in challenging environments, is ensured by the gimbal mounting option.
- Remote maintenance and updating of the oven is possible through our cloud service.
- E mark approval for vehicles.
- Strong Finnish design and manufacturing keep the device in good condition for a long time.
- Laminar combustion is a safe burning process with no open flame.
- The device can be fueled directly from the boat's main tank, which saves a tremendous amount of space.
- A diesel device does not require annual gas tank inspections like gas stoves.



Accessories in black come with the standard package. Accessories in blue are additional/optional. Wallas-Marin reserves the right to change or improve its products and to make changes in the content of this brochure without obligation to notify any person or organization of such changes or improvements. Go to www.wallas.fi for current updates and supplemental information concerning these products.